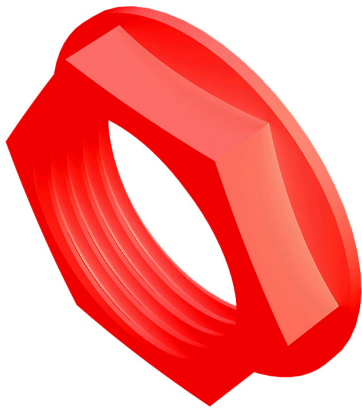


PRODUCT CODE: PLN20R
PVC LOCKNUT



DESCRIPTION

20mm PVC Locknut

FINISH

Red

MATERIAL

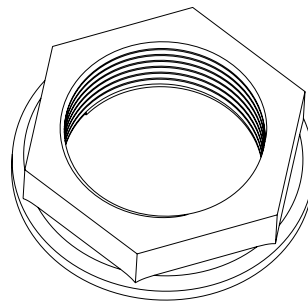
PVC

PACKAGING

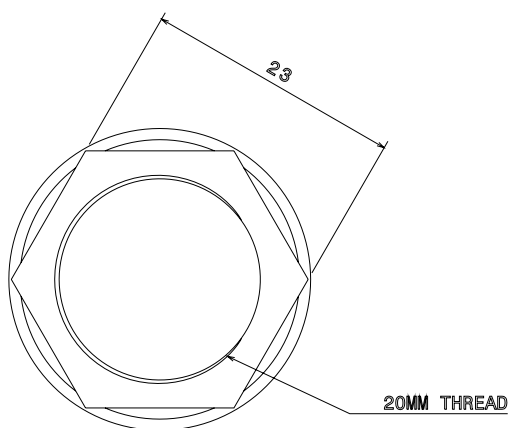
Packed in qty 100

ADDITIONAL NOTES

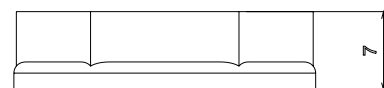
Manufactured to BS4607 part 1
Low Smoke & Fume and Zero Halogen (LS0H) rated



Isometric view



Top view



Side view